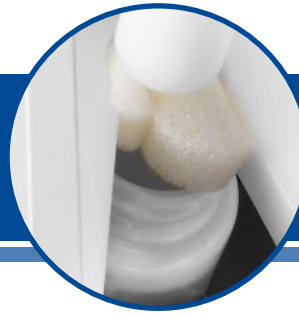




PLASTIC FOAM STOPPER INSERTER CVC 1115



The CVC 1115 Plastic Foam Stopper Inserter at speed of up to 70 insertions per minute. The system is designed to comply with cGMP requirements and is controlled by Siemens PLC.

STANDARD FEATURES

- Servo motor and Siemens PLC Controlled
- No-bottle no-fill
- Vibratory Feeder Bowl
- Safety guards with automatic machine stop
- Emergency Button
- Pneumatic gating with container detection
- Quick and easy change over
- cGMP compliance
- Type 304 stainless steel bin, frame, enclosure panels
- ISO 9001:2015 Certified



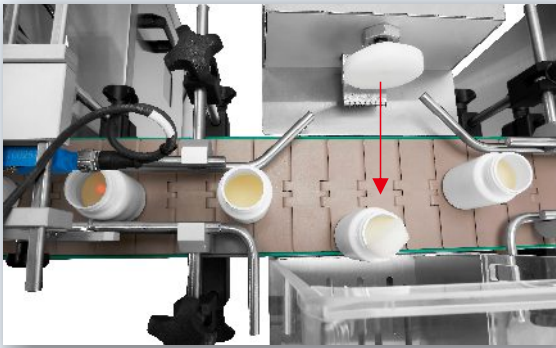
CVC 1115 Technical Specifications

Speed	Up to 70 Bottles per Minute(BPM) with single insertion per head
Bottle Height	1 $\frac{5}{8}$ " to 4 $\frac{3}{4}$ " (40mm - 120mm)
Bottle Diameter	1 $\frac{5}{8}$ " to 3 $\frac{1}{8}$ " (40mm - 80 mm)
Neck Opening	1 $\frac{5}{8}$ " to 3" (40mm - 75 mm)
Foam Height	$\frac{5}{8}$ " to $\frac{3}{4}$ " (15mm - 20 mm)
Foam Diameter	1 $\frac{5}{8}$ " to 3" (40mm - 75 mm)
Power Supply	220 V/ 50 HZ/ 3 PH
Power Consumption	1950 W
Air Consumption	200 L/min (7 CFM)
Air Pressure	6 kgf/cm ² (87psi) (ISO 8573-1)
Machine Dimension	8'-2" x 6'-8" x 5'-9" (2500mm x 2025mm x 1758mm) (L x W x H)
Net Weight (KGS)	1000 Kg
Noise Level	70~78 db

TECHNICAL SPECIFICATIONS

AVAILABLE OPTIONS

- Motorized sanitary conveyor (6" wide belt available)
- Missing plastic foam detection & reject system
- Tower lamp
- 21 CFR Part 11 License



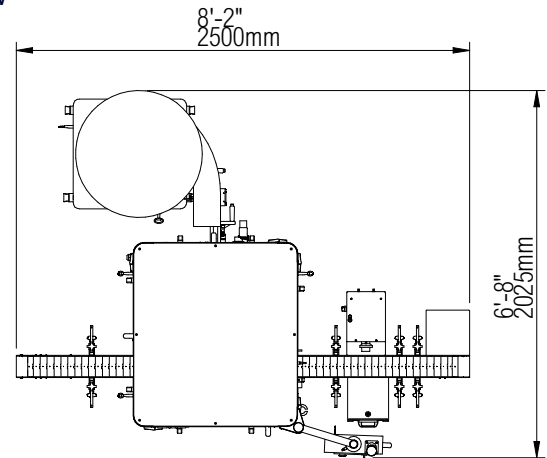
Missing plastic foam detection & reject system



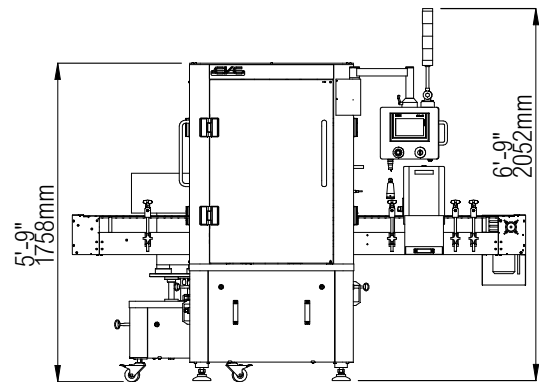
Automatic unscrambling vibrators for plastic foam.

MACHINE LAYOUTS

Top View



Front View



The dimensions shown are for standard machine. The conveyor can be extended: the length may vary based on selected options. This machine can run independently or be integrated into an automated packaging line. All CVC equipment is covered by a one-year parts warranty. Full Warranty details are included in our equipment proposals or can be found on our website.



Contact Us

USA
10861 Business Drive, Fontana, CA 92337
Phone: +1 (909) 355-0311
www.cvctechnologies.com
sales@cvcusa.com

USA East Coast Office
1855 New Highway, Suite C, Farmingdale NY 11735
sales@cvcusa.com

Taiwan-Asia Pacific Headquarters
Phone: +886 (4) 2496-3666
sales@cvctechnologies.com

China/India/Indonesia
sales@cvctechnologies.com